

HRM4(H) Relay

1.COIL DATA

1-1.Nominal Voltage	3 VDC to 48 VDC
1-2.Coil Resistance	Refer to Table 1
1-3.Operate Voltage	Refer to Table 1
1-4.Release Voltage	Refer to Table 1
1-5.Nominal Power Consumption	250 mW to 540 mW

2.CONTACT DATA

2-1.Contact Arrangement	2 Form A
2-2.Contact Material	AuAg
2-3.Contact Rating	5A 250VAC / 30VDC
2-4.Max. Switching Voltage	30 VDC / 250 VAC
2-5.Max. Switching Current	5A
2-6.Max. Switching Power	1250 VA , 150W
2-7.Contact Resistance (Initial)	100 mΩ at 6 VDC 1A
2-8.Life Expectancy	Electrical 100,000 operations at nominal load Mechanical 5,000,000 operations

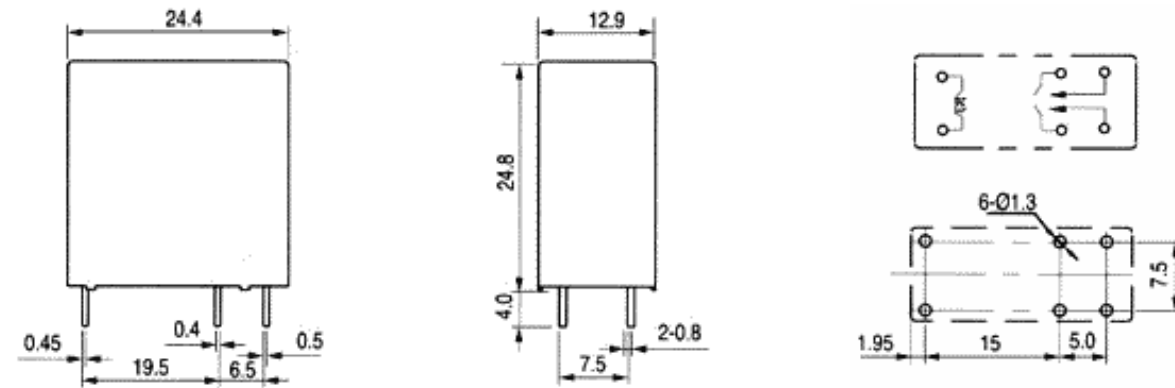


HRM4(H) Relay

3.GENERAL DATA

3-1.Insulation Resistance	Min.100MΩ at 500 VDC
3-2.Dielectric Strength	1,000VAC , 1min between open contacts 3,000VAC , 1min between contacts and coil
3-3.Operate Time	Max. 20ms
3-4.Release Time	Max. 10ms
3-5.Temperature Range	-30 to +70 °C
3-6.Shock Resistance	15G
3-7.Vibration Resistance	10 - 55 Hz , Amplitude 1.5mm
3-8.Weight	13 gr.
3-9.Safety Standard	UL NO. E164730

4.DIMENSIONS (in mm)



ii

5.ORDERING CODE

HRM4	H-	S	DC 3V	ii
NOMINAL VOLTAGE: DC3V , DC5V , DC6V , DC9V , DC12V , DC24V , DC48V				
ENCLOSURE S ---- WASHABLE				
COIL NIL ---- STANDARD TYPE H ----- HIGH SENSITIVE TYPE				

6.COIL DATA CHART

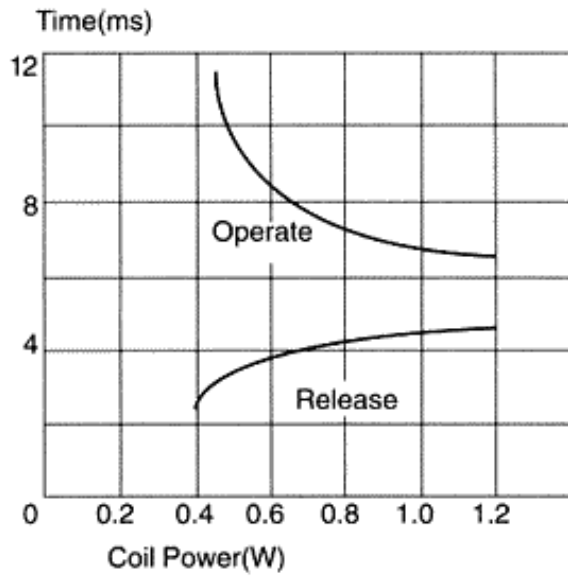
at 20°C

ORDERING CODE	COIL NOMINAL VDC	COIL RESISTANCE $\pm 10\%$	OPERATE VOLTAGE VDC	RELEASE VOLTAGE VDC	COIL NOMINAL mW
HRM4-S DC3V	3	17	2.4	0.15	540
HRM4-S DC5V	5	50	4.0	0.25	
HRM4-S DC6V	6	68	4.8	0.30	
HRM4-S DC9V	9	155	7.2	0.45	
HRM4-S DC12V	12	270	9.6	0.6	
HRM4-S DC24V	24	1100	19.2	1.20	
HRM4-S DC48V	48	4400	38.4	2.40	
HRM4H-S DC3V	3	36	2.4	0.15	250
HRM4H-S DC5V	5	100	4.0	0.25	
HRM4H-S DC6V	6	144	4.8	0.30	
HRM4H-S DC9V	9	324	7.2	0.45	
HRM4H-S DC12V	12	576	9.6	0.60	
HRM4H-S DC24V	24	2304	19.2	1.20	
HRM4H-S DC48V	48	9216	38.40	2.40	

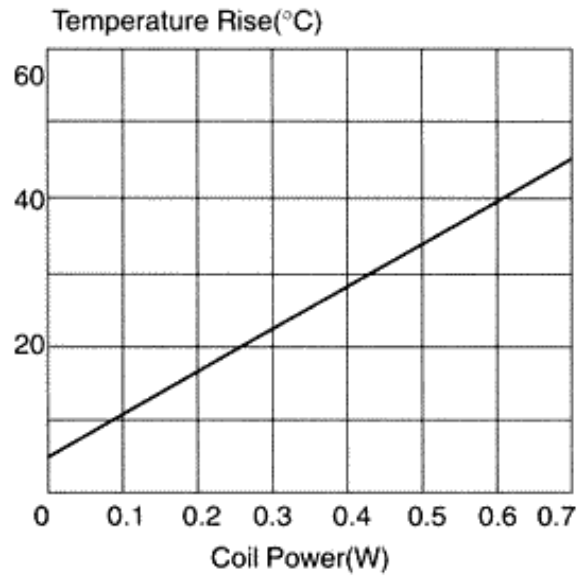
Table 1

7.HRM4(H) CHARACTERISTIC DATA

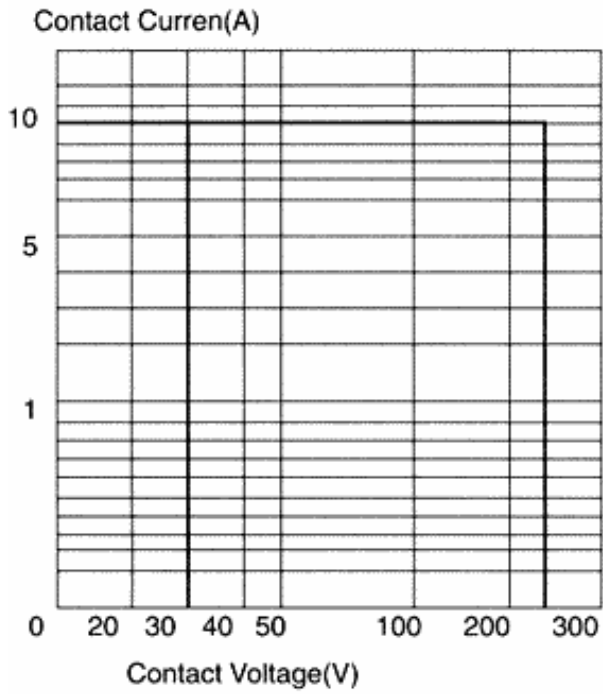
Timing



Coil Temperature Rise



Maximum Switching Power



Life Curve

