

CMA2 Relay

1.COIL DATA

1-1.Nominal Voltage	3 VDC to 24 VDC
1-2.Coil Resistance	Refer to Table 1
1-3.Operate Voltage	Refer to Table 1
1-4.Release Voltage	Refer to Table 1
1-5.Nominal Power Consumption	1.0 W



2.CONTACT DATA

2-1.Contact Arrangement	1 Form C , 1 Form A , 1 Form U , 1 Form W
2-2.Contact Material	AgSnO ₂
2-3.Contact Rating	10A 120VAC / 28VDC (1 Form C , 1 Form A) 2x10A 120VAC / 28VDC (1 Form W , 1 Form U)
2-4.Max. Switching Voltage	110VDC 240VAC
2-5.Max. Switching Current	15A
2-6.Max. Switching Power	280W
2-7.Max. Load Current (14VDC Load Voltage)	

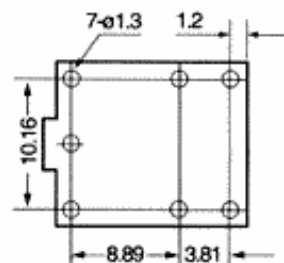
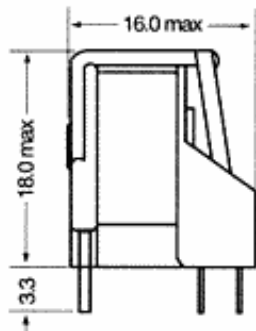
Load	Form A	Form C		Form W	Form U
		NO	NC		
Max.Carry Current	15A	15A	10A	2x15A	2x10A
Max.Make Current	50A	50A	15A	2x40A	2x40A
Max.Break Current	15A	15A	10A	2x20A	2x7A

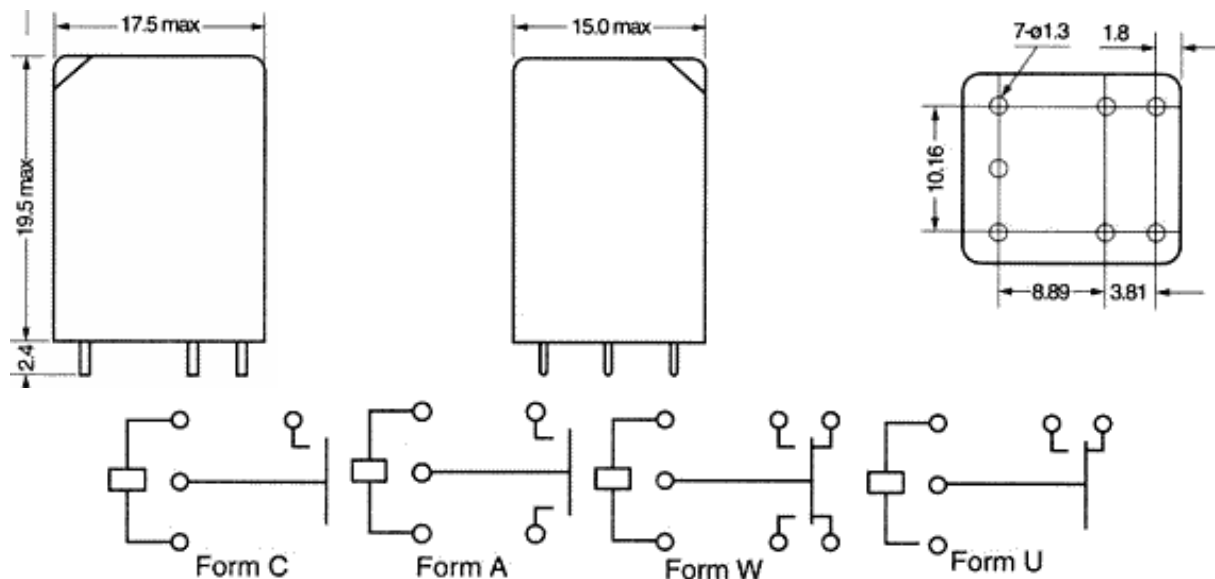
2-8.Contact Resistance (Initial)		50 mΩ, at 6VDC 1A
2-9.Life Expectancy	Electrical	100,000 operations at nominal load
	Mechanical	10,000,000 operations

3.GENERAL DATA

3-1.Insulation Resistance	Min.100MΩ, at 500 VDC
3-2.Dielectric Strength	750VAC , 1min between open contacts 1,000VAC , 1min between contacts and coil
3-3.Operate Time	Max. 10ms
3-4.Release Time	Max. 5ms
3-5.Temperature Range	-40 to +85 ;æ
3-6.Shock Resistance	10G
3-7.Vibration Resistance	10 - 55 Hz , Amplitude 1.5mm
3-8.Weight	12 gr. 8 gr (open)
3-9.Safety Standard	

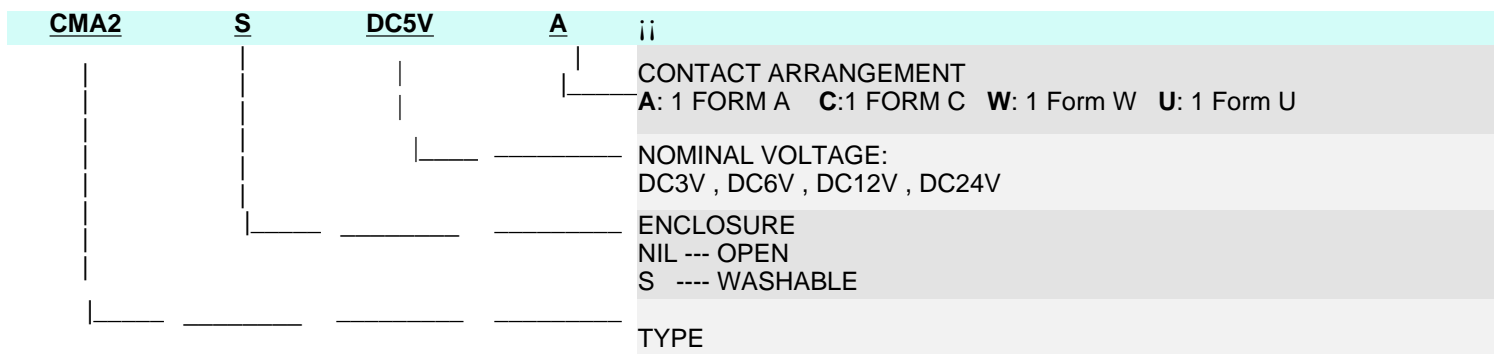
4.DIMENSIONS (in mm)





ii

5.ORDERING CODE



6.COIL DATA CHART

at 20;æ

ORDERING CODE	COIL NOMINAL VDC	COIL RESISTANCE, +/- 10%	OPERATE VOLTAGE VDC	RELEASE VOLTAGE VDC	COIL NOMINAL mW
CMA1-S DC3V	3	11.2	1.8	0.30	800
CMA1-S DC6V	6	120	3.6	0.60	
CMA1-S DC12V	12	180	7.2	1.20	
CMA1-S DC24V	24	720	14.4	2.40	

Table 1

7.CMA1 CHARACTERISTIC DATA

